

DOOR HOLDER



Series DH

Designed to be used on self-closing swinging doors to automatically isolate an area when activated by fire alarm, smoke detection or sprinkler systems.

Typical installations are: **hospitals, schools, nursing homes, public buildings** (closes all exit doors at once by push button control) and offices (instant privacy by pushing a button on your desk).

Magnetic door holders can also be operated by manual release, wherever the instant closing of doors is needed for safety or convenience.

Wall or floor supports available.

Technical features

- 600 N holding force
- Jumper for voltage switch (on DHB)
- Ejector pin to overcome residual magnetism
- Manual release button
- Low power consumption
- Guaranteed 3 years

Certifications

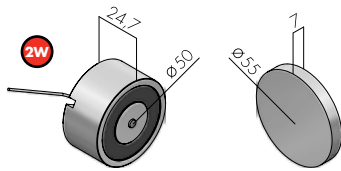
- Complies with UNE-EN 1155:2003

3	5	4	1	1	3
---	---	---	---	---	---

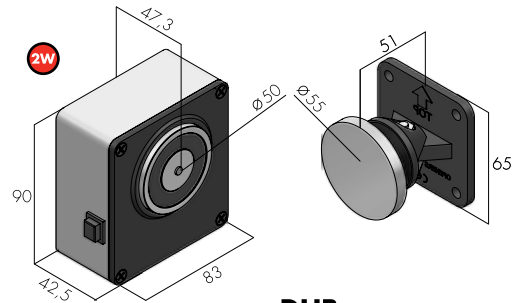
References and features

Voltage 24 Vdc	Manual Dual voltage 12/24 Vdc	HOLDING FORCE	Timer 3 sec.	Manual release button	Block	References
•		600 N			50 mm	DHI - Industrial door holder
•		600 N			50 mm	DHS - Basic door holder
	•	600 N		•	50 mm	DHB - Dual voltage door holder
•		600 N	•	•	50 mm	DHT - Door holder with timer
•		300 N/600 N		•	50 mm	DHD - Door holder with power-regulation
						DFS 160 - Door holder fix support
						DFS 300 - Door holder fix support
						PDH - Manual Release Button
						ADH - Counterplate for DHB / DHT / DHD
						AHI - Counterplate for DHI
						AHS - Counterplate for DHS

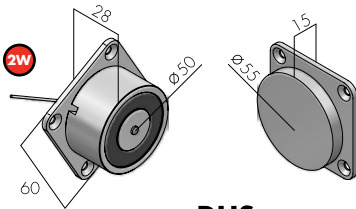
Accessories & Spares



DHI
24 V DC (85mA)



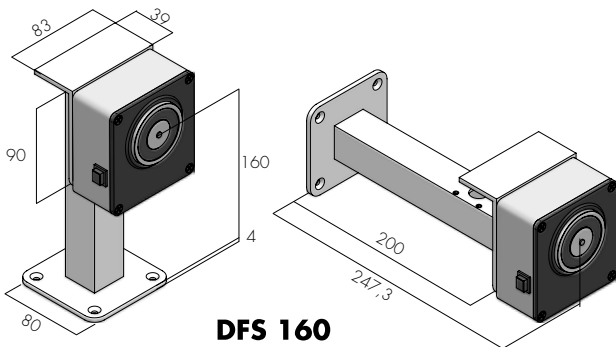
DHB
12 V DC (170mA)
24 V DC (85mA)



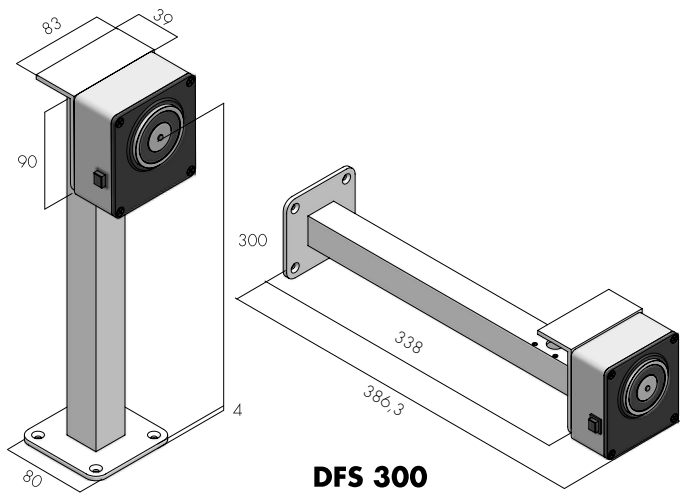
DHS
24 V DC (85mA)

DHT
24 V DC (85mA)

DHD
24 V DC (85mA)



DFS 160
WALL/FLOOR DOOR HOLDER



DFS 300
WALL/FLOOR DOOR HOLDER