

Product Information

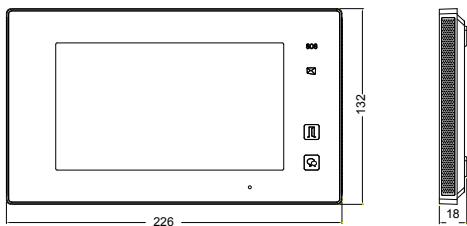
DT47M 2-Wire Indoor Monitor



DESCRIPTION

2-wire system 7 inch Digital Color TFT Monitor with touch screen and picture/video memory.

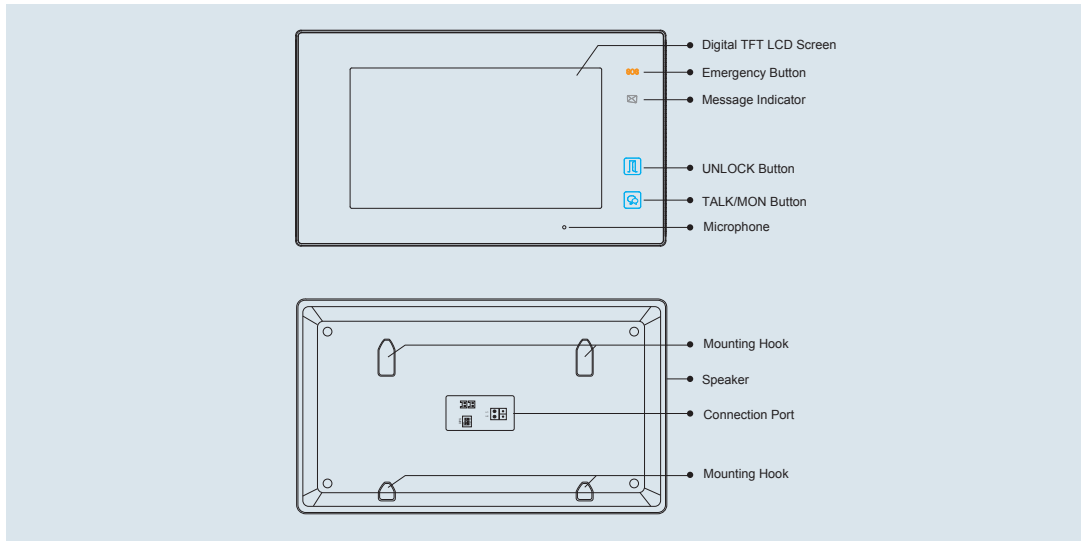
DIMENSION



FEATURES

- ▶ Built-in picture/video memory;
 - ▶ Calling/monitoring's string display/setting;
 - ▶ Name list edition by built in keypad;
 - ▶ Broadcasting;
 - ▶ Call diverting via TPS/GSM;
 - ▶ SOS SMS to mobile phone via GSM;
 - ▶ Call recording management;
 - ▶ Compatible with all DT outdoor & Indoor stations ;
- *1 Multi-languages & Icon customized.

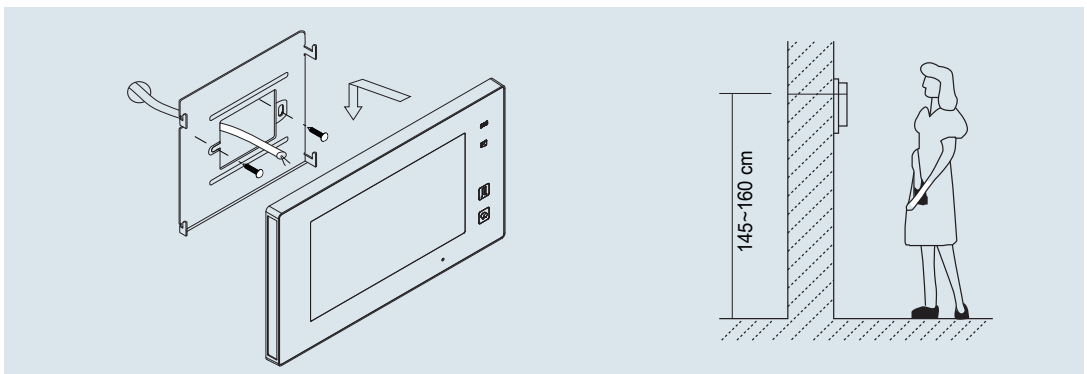
1. Parts and Functions



Key functions

LCD screen	Display the visitors' image
Emergency button	Used for sending SOS to registered mobile phone via DT-GSM modular
Message indicator	It will be lighted up if there is unread message
Unlock button	Press to release the door
Talk/Mon button	Press to communicate hands free with visitor Press to view the outdoor condition in standby mode
Microphone	Receive voice from the user
Mounting hook	Use to hang up the monitor
Connection port	Bus terminal
Speaker	Send out voice from the visitor

2. Monitor Mounting



1. Use the screws to fix the Mounting Bracket on the mounting box.(fitting accesories includes a Bracket (Two pieces of 4X25 screws are needed to fasten the Mounting Bracket), Special 2 wire connectors to connect with Monitor)
2. Wire the system correctly(refer to connection chapter) then hang the Monitor on the Mounting Bracket firmly.

3. Specification

- Power supply for indoor monitor: DC 20~28V
- Power consumption: Standby 12.4mA; Working 270mA
- Monitor screen: 7 Inch digital color TFT
- Display Resolutions: 800*3(R, G, B) x 480 pixels
- Video signal: 1Vp-p, 75Ω, CCIR standard
- Wiring: 2 wires, non-polarity
- Dimension: 131(H)×225(W)×18(D)mm

4. Ordering Information for Monitor



Item	Brief Description	Menu style
DT47M/TD7-B	7 inch digital color TFT monitor with touch screen and picture/video memory & black housing	Color icon
DT47M/TD7-W	7 inch digital color TFT monitor with touch screen and picture/video memory & white housing	Color icon

5. Optional Accessories (Not included)

Item	Brief Description	Remark
DB1-W	Desk top bracket in white color	For desktop mounting
DB1-B	Desk top bracket in black color	For desktop mounting

6. Packing Information



Dimensions: 166(H)×244(W)×40(D)mm

Gross Weight: 0.69Kg



Carton: 530 (H)×340 (W)×258 (D)mm

Quantity: 24PCS

7. User Interface: Menu style

