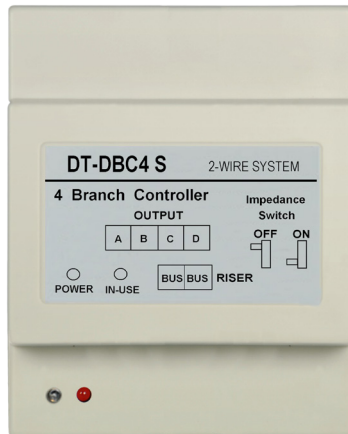


Product Information

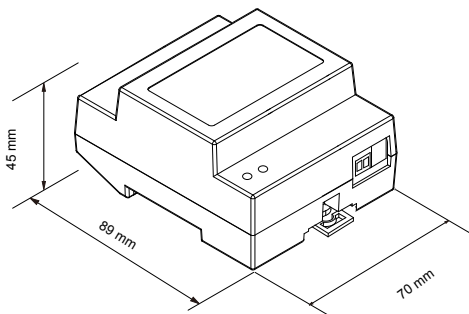
DT Accessories DT-DBC4S



DESCRIPTION

2-wire system branch controller with four outputs

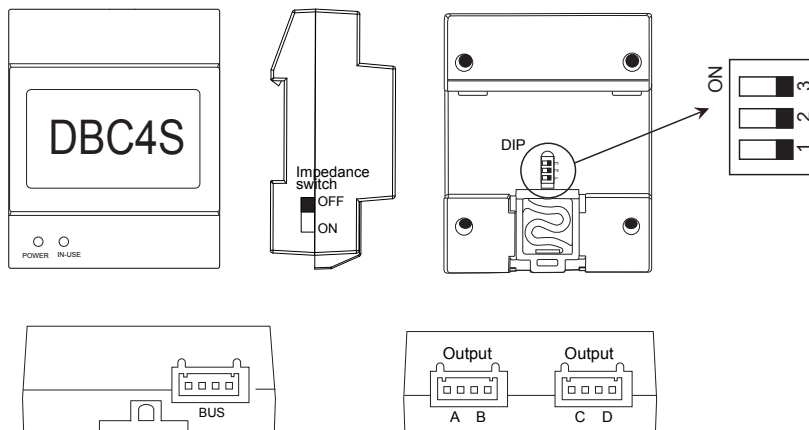
DIMENSION



FEATURES

- ▶ Branch controller for 4 apartments and serve as floor distributor;
 - ▶ For multi door stations input(max.4)
-

1. Parts and Functions



IN-USE:Status indicator,it will light up when receives signal.

POWER:Working indicator,it will light up when plugs in power supply.

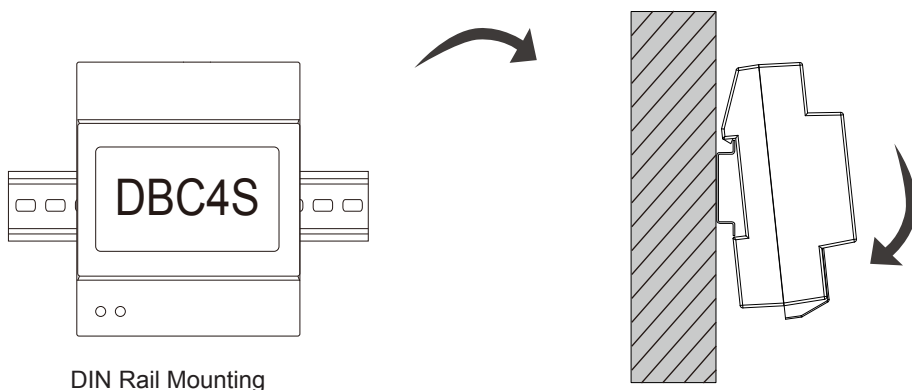
Impedance Switch:Video match switch,the last DBC4S at the end of the bus should set ON to match the video impedance,the power indicator will turn to orange after setting.

Bus:Input port,bus connection port.

A,B,C,D:Output port,connect to indoor monitors or door stations.

DIP :Used for current control when connected with different devices.

2. Unit Mounting



DIN Rail Mounting

3. Specification

- * Power Supply : DC24V
- * Temperature: -10⁰C~+40⁰C;
- * Wiring: 2 wires (non-polarity);
- * Dimension: 89(H)×70(W)×45(D)mm

4. Ordering Information

Model No.	Brief Description	Remark
DT-DBC4S	4 branch controller	

5. Packing Information



Dimensions: 100(H)×85(W)×60(D)mm
Gross Weight: 0.17Kg



Carton: 450 (H)×310 (W)×110 (D)mm
Quantity: 25PCS