

BASIC



Series MEX

Basic electromagnetic locks are the perfect locking solution for **emergency doors** and access control systems. In case of power failure, all doors will automatically open, making it safe for the occupants to exit.

They are available for mortise and rim installations with a wide range of brackets allowing an easy installation on any kind of doors and door frames.

Moreover, our vandal protection system secures the electromagnetic lock against tampering, theft or removal.

Our MEX 70 is especially designed for small applications such as closets, cabinets, showcases, drawers and lockers.

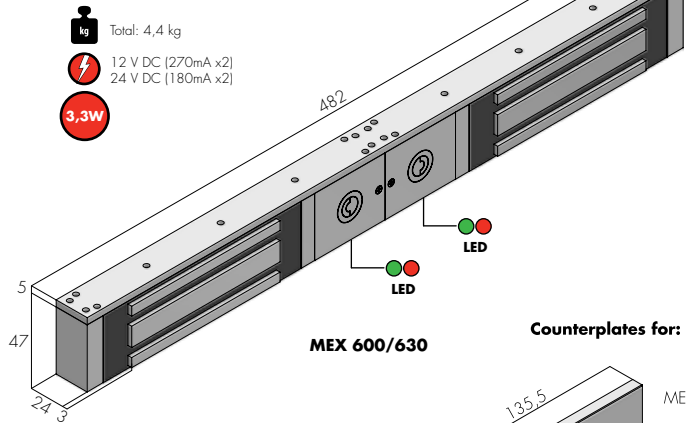
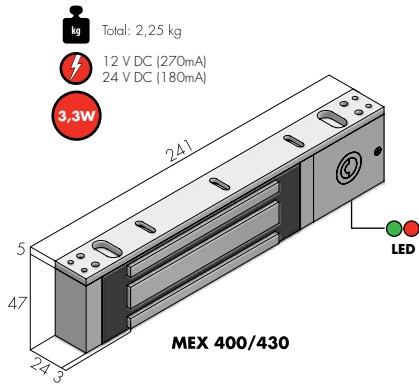
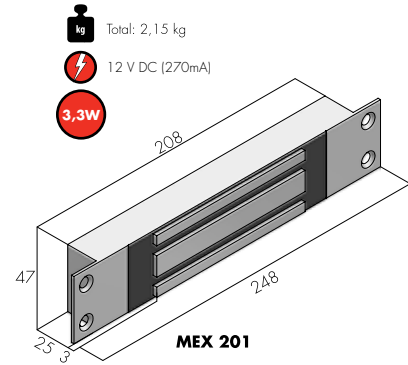
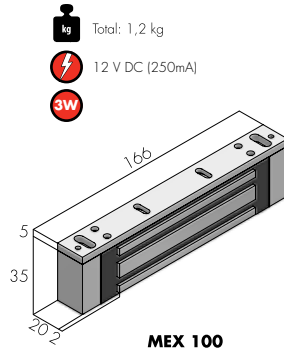
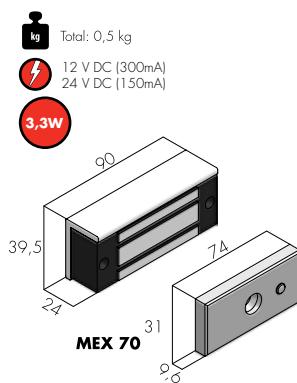
Technical features

- Dual voltage 12/24V dc
12V dc for MEX 100 and MEX 201 models
- Reed + LED monitoring (open/closed)
- Low power consumption
- Electronic protection
- Vandal Protection
- Timer (5 to 30 seconds)
- Guaranteed 3 years

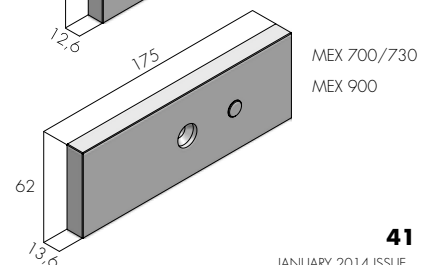
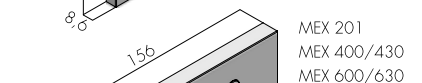
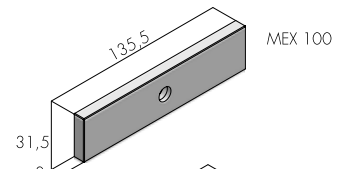
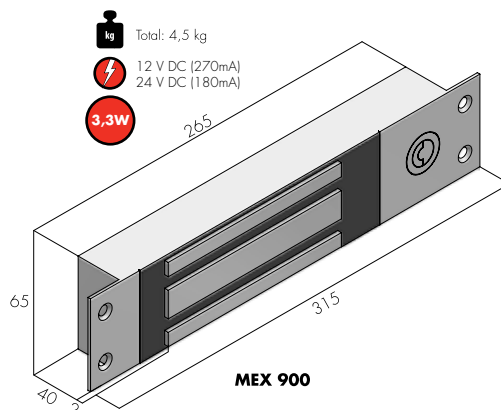
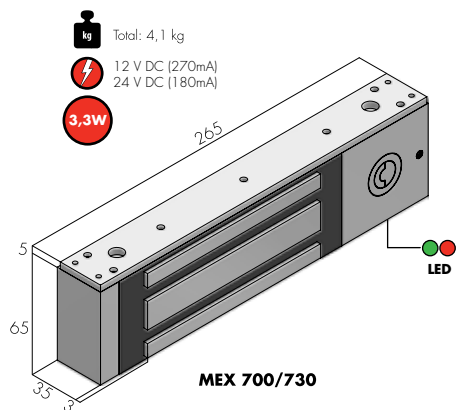
References and features

Holding force	12 Vdc	12/24 Vdc (manual)	12/24 Vdc (automatic)	Mortise	Rim	Monitoring	LED	L	Z	U	Mounting kit for FR fire doors		References
								Outward opening doors	Inward opening doors	Glass doors	MRF 810	MRF 820	
500 N		•			•	•							MEX 70
1.800 N	•				•			•	•	•			MEX 100
3.000 N	•			•									MEX 201
3.000 N			•		•			•	•	•	•		MEX 400
3.000 N			•		•	•	•	•	•	•	•		MEX 430
3.000 N x2			•		•			•	•	•	•		MEX 600
3.000 N x2			•		•	•	•	•	•	•	•		MEX 630
6.500 N			•		•			•	•			•	MEX 700
6.500 N			•		•	•	•	•	•			•	MEX 730
6.500 N			•	•									MEX 900

* Remember to order one unit for each electromagnetic lock!



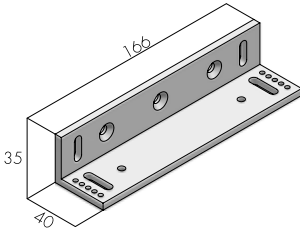
Counterplates for:



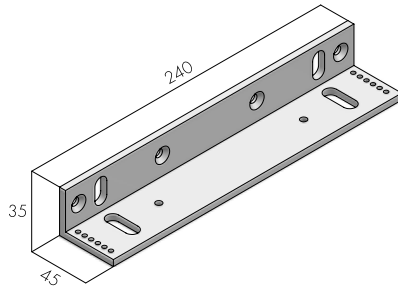
BRACKETS FOR BASIC ELECTROMAGNETIC LOCKS

L For outward opening doors.

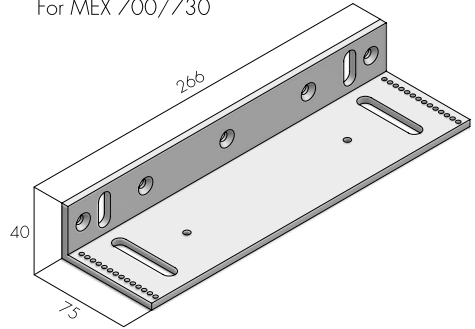
MBEX 180
For MEX 100



MBEX 300
For MEX 400/430/600*/630*

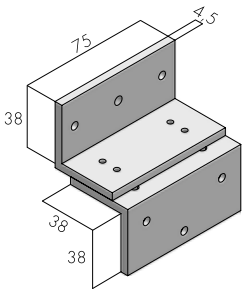


MBEX 600
For MEX 700/730

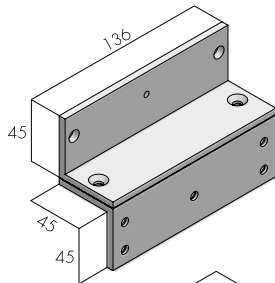


Z For inward opening doors.

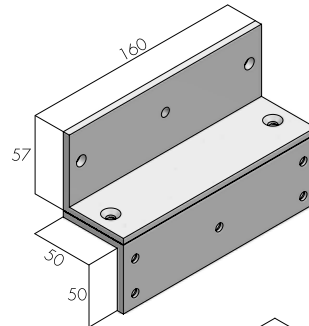
MBAX 70
For MEX 70



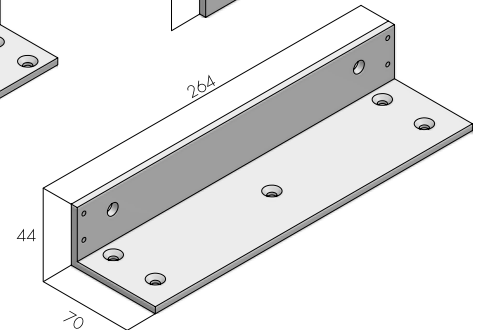
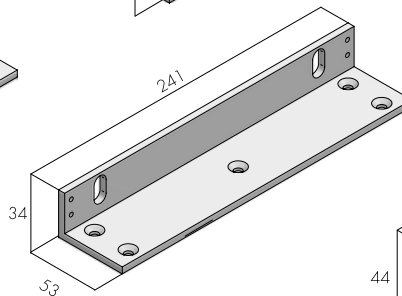
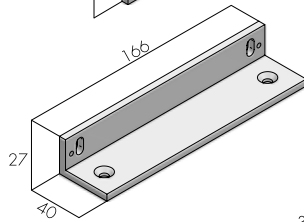
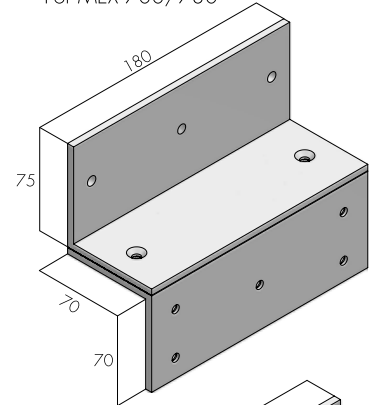
MBAX 180 (3 units)
For MEX 100



MBAX 300 (3 units)
For MEX 400/430/600*/630*

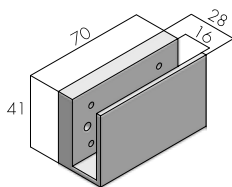


MBAX 600 (3 units)
For MEX 700/730

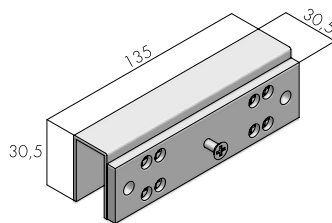


U For glass doors.

MHAX 70
For MEX 70

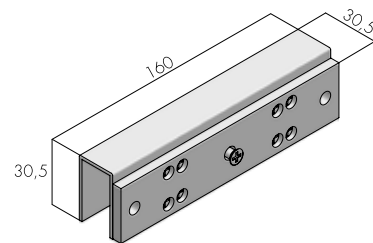


MHAX 180
For MEX 100



Max. glass thickness: 12 mm

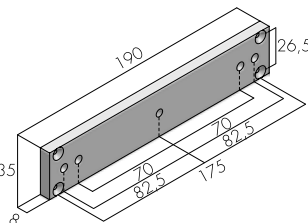
MHAX 300
For MEX 400/430/600*/630*



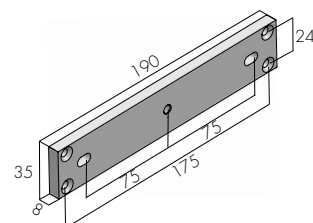
Max. glass thickness: 16 mm

Mounting kit for fire doors

MRF 810
For MEX 400/430/600*/630*

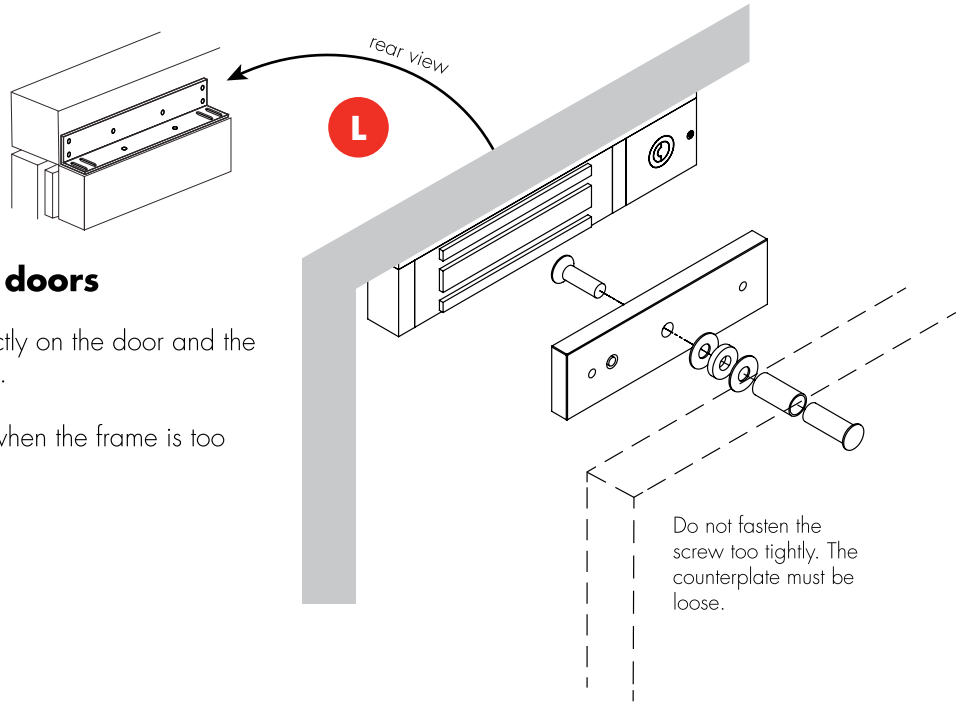


MRF 820
For MEX 700/730



*Remember to order one unit for each electromagnetic lock

MOST COMMON INSTALLATIONS

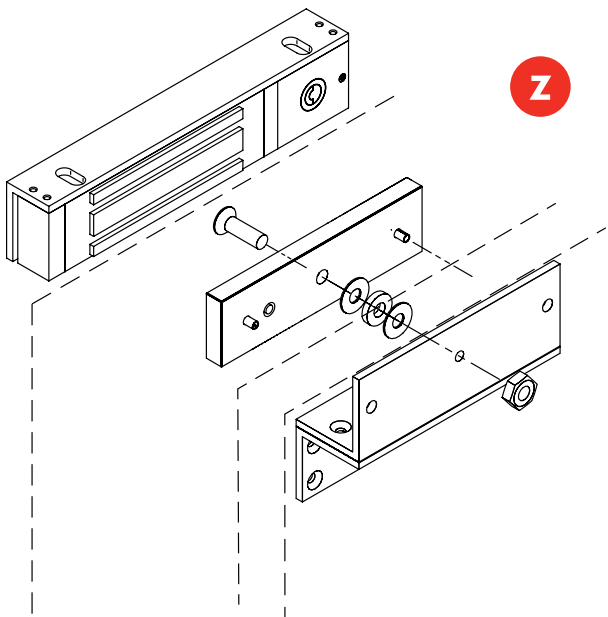


For outward opening doors

The counterplate is installed directly on the door and the magnetic lock beneath the frame.

An "L" bracket may be needed when the frame is too narrow.

Do not fasten the screw too tightly. The counterplate must be loose.



For inward opening doors

The counterplate is installed on a "Z" bracket mounted on the interior door leaf directly to the door.

The electromagnetic lock has to be installed on the frame, on the opposite side of the hinges.

For glass doors

The counterplate is installed directly on the door leaf. The electromagnetic lock has to be installed under the frame.

An "L" bracket may be needed when the frame is too narrow.

Please remember that the distance between the glass door and the frame needs to be at least 3 mm.

